

**IMPORTANT!** Read entire instruction sheet before you start installation and assembly.

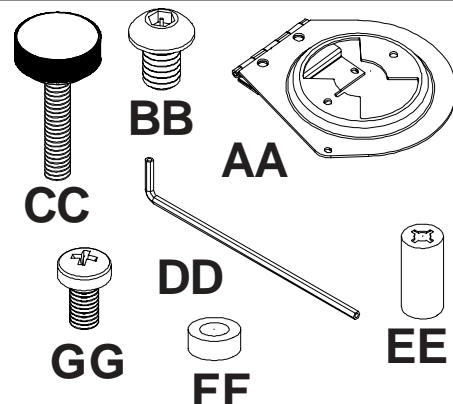
Before you start check the parts list below to make sure all of the parts shown are included.

**⚠ WARNING**

- Installer must verify that the ceiling will safely support four times the combined weight of all attached equipment and hardware.

**Parts List**

Description	Qty.	PAP 121	PAP 121-S	PAP 121-W
<b>AA</b> adapter plate	1	055-1207	055-4207	055-2207
<b>BB</b> 1/4 - 20 x 3/8" socket pin screw	1	520-1109	520-2109	520-2109
<b>CC</b> M3 -.5 x 25 mm thumb screw	1	560-1139	560-7139	560-7139
<b>DD</b> 4 mm allen wrench	1	560-9646	560-9646	560-9646
<b>EE</b> retaining spacer	1	590-1128	590-2128	590-2128
<b>FF</b> spacer	1	590-0108	590-0108	590-0108
<b>GG</b> M3 - .5" x 6 mm phillips pan	1	520-1028	520-2036	520-2036



Note: Actual parts may appear slightly different than illustrated.

- 1** Flip projector upside-down and attach adapter plate (AA) using one socket pin screw (BB) and one phillips screw (GG) as shown. Tighten screw (BB) using 4 mm allen wrench (DD).

- 2** \*Notch indicates front of projector. Secure adapter plate with thumb screw (CC), spacer (FF) and retaining spacer (EE) in remaining hole.

